

Model(型號): H101JV2



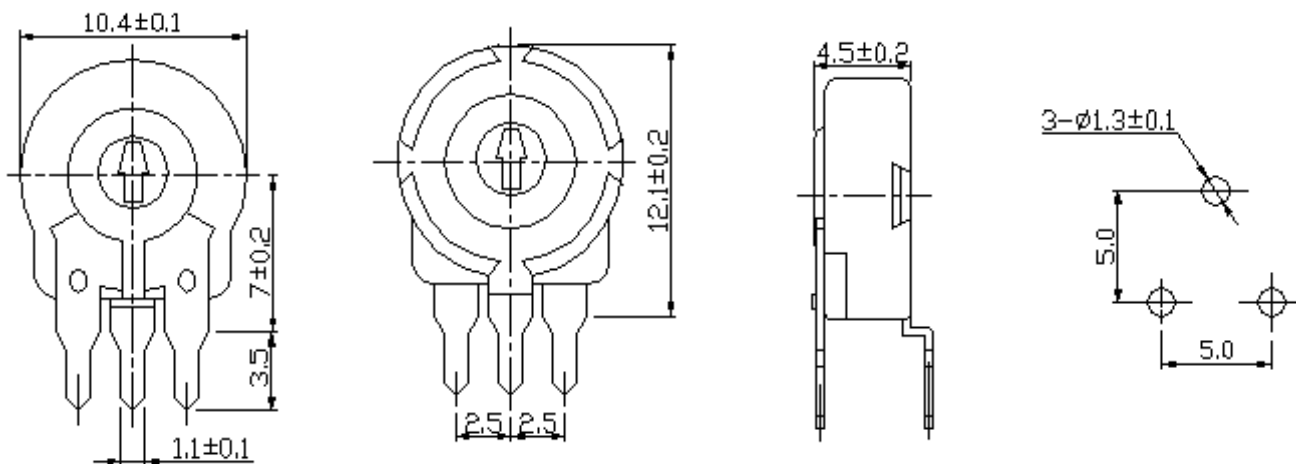
## Features:

Spain potentiometer, compact design with a good space factor

## 特點:

西班牙電位器, 外形小巧, 有不同調節孔

## Dimensions(規格圖):



## Specifications(規格)

## Electrical Characteristics [ 電氣性能 ]

Total resistance [ 全阻抗值 ]	100 $\Omega$ - 2M $\Omega$
Total resistance tolerance [ 全阻抗值容許差 ]	$\pm 20\%$
Ratings power(w) [ 額定功率 ]	0.15W
Resistance taper [ 阻抗變化特性 ]	A B C
Max. operating voltage [ 最高使用電壓 ]	250V

## Mechanical Characteristics [ 機械性能 ]

Operation torque [ 回轉力矩 ]	20gf.cm to 200gf.cm
Rotation stopper strength [ 止動強度 ]	0.4Kgf.cm Max
Total rotational angle [ 回轉角度 ]	235° $\pm 5^\circ$

## Endurance Characteristics [ 耐久性能 ]

Rotational life [ 回轉壽命 ]	500cycles or 10000 cycles
--------------------------	---------------------------