

Model(型號): H06M31



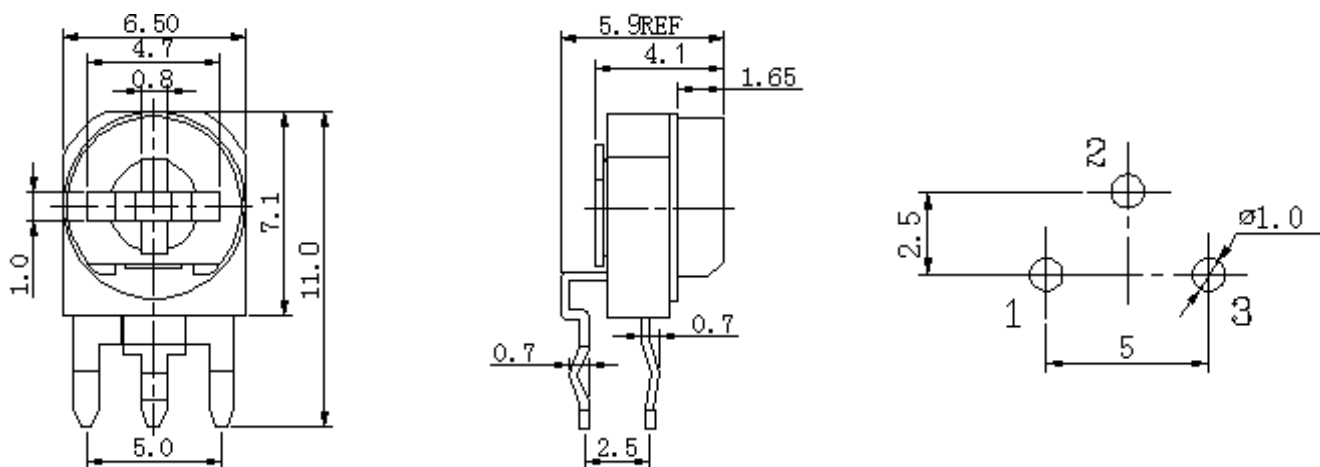
## Features:

Compact design with a good space factor

## 特點:

節省空間，塑封防水型

## Dimensions(規格圖):



## Specifications(規格)

## Electrical Characteristics [ 電氣性能 ]

Total resistance [ 全阻抗值 ]	100 Ω - 1M Ω
Total resistance tolerance [ 全阻抗值容許差 ]	±20%
Ratings power(w) [ 額定功率 ]	0.10W
Resistance taper [ 阻抗變化特性 ]	B
Max. operating voltage [ 最高使用電壓 ]	50V

## Mechanical Characteristics [ 機械性能 ]

Operation torque [ 回轉力矩 ]	60gf.cm to 150gf.cm
Rotation stopper strength [ 止動強度 ]	0.5Kgf.cm Max
Total rotational angle [ 回轉角度 ]	200° ±20°

## Endurance Characteristics [ 耐久性能 ]

Rotational life [ 回轉壽命 ]	More than 100 cycles
--------------------------	----------------------