

Model(型號): H10F32



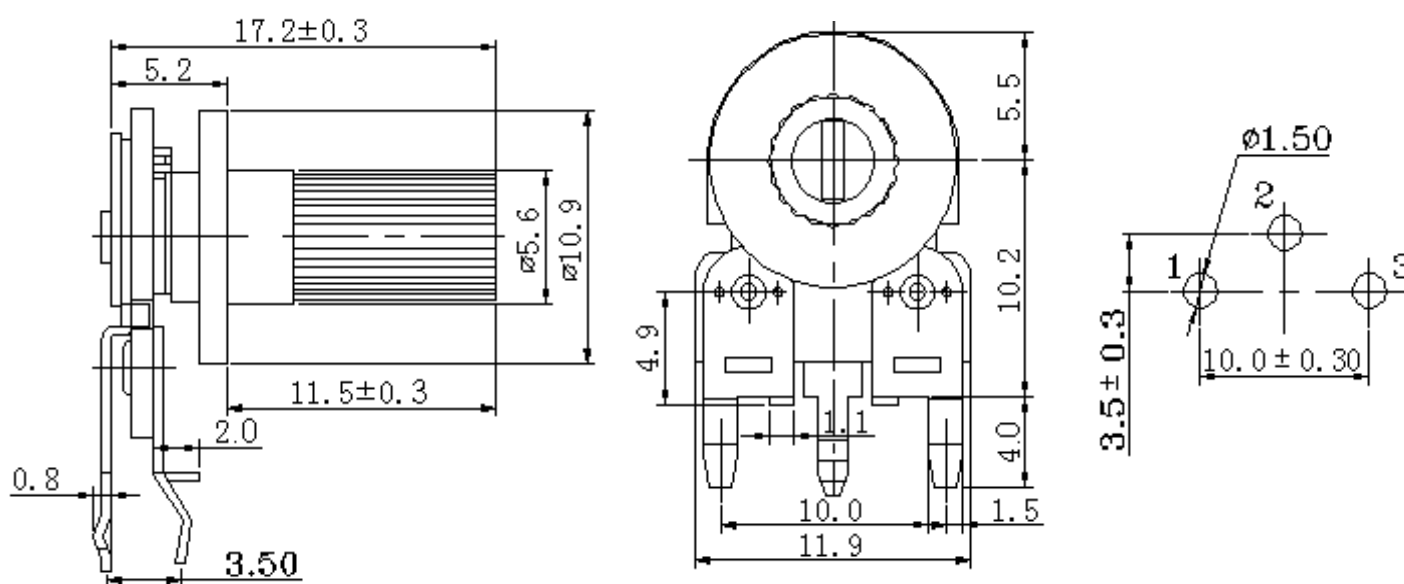
Features:

Compact design with a good space factor

特點:

結構緊湊，有不同尺寸調節旋鈕

Dimensions(規格圖):



Specifications(規格)

Electrical Characteristics [電氣性能]

| | |
|--|--------------|
| Total resistance [全阻抗值] | 100 Ω - 2M Ω |
| Total resistance tolerance [全阻抗值容許差] | ±20% |
| Ratings power(w) [額定功率] | 0.10W |
| Resistance taper [阻抗變化特性] | B |
| Max. operating voltage [最高使用電壓] | 50V |

Mechanical Characteristics [機械性能]

| | |
|------------------------------------|---------------------|
| Operation torque [回轉力矩] | 80gf.cm to 350gf.cm |
| Rotation stopper strength [止動強度] | 0.5Kgf.cm Max |
| Total rotational angle [回轉角度] | 220° ±20° |

Endurance Characteristics [耐久性能]

| | |
|--------------------------|----------------------|
| Rotational life [回轉壽命] | More than 100 cycles |
|--------------------------|----------------------|