

Model(型號): RS10P204V1



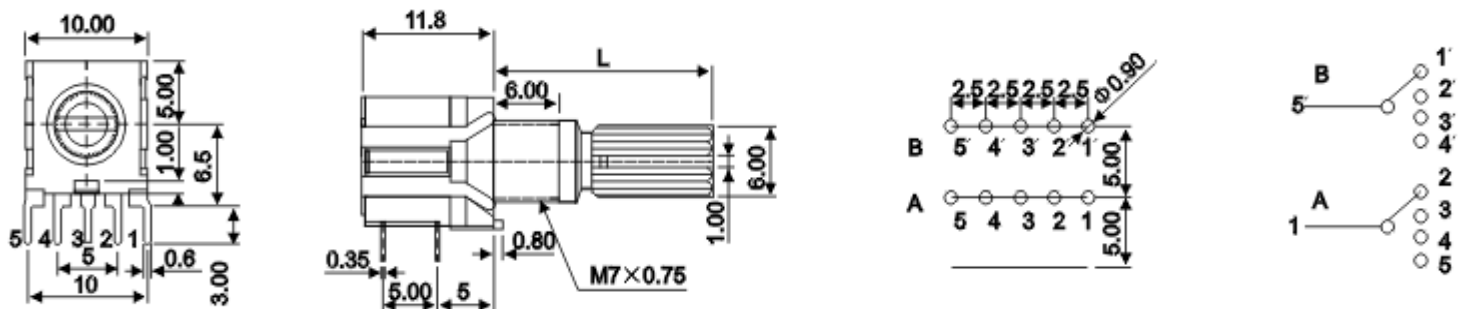
Features:

High rated power compact rotary switch;excellent
Operating feel and environmental resistance.

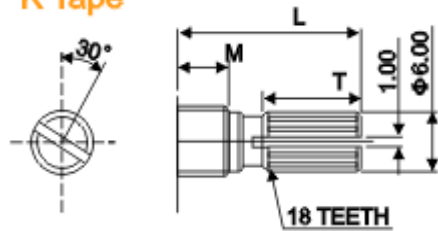
特點:

高功率旋轉開關，優秀的手感和接觸阻抗。

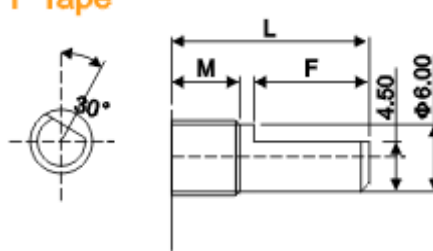
Dimensions(規格圖):



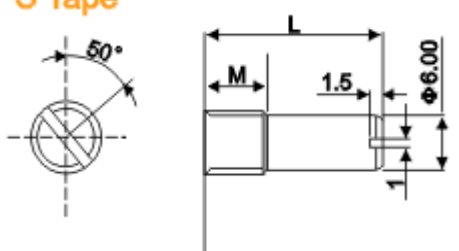
K Tape



F Tape



S Tape



Specifications(規格)

Electrical Characteristics [電氣性能]

Ratings power(w) [額定功率]	0.1A DC 16V
Contact resistance [接觸阻抗]	50mΩ
Insulation resistance[絕緣阻抗]	100MΩ at DC 500V
Withstanding voltage[耐電壓]	1 minute at AC 100V

Mechanical Characteristics [機械性能]

Step angle[每段角度]	30° ±3°
Poles [極數]	1~2P
Sections [段數]	2~6P
Operation torque [回轉力矩]	200 ±100 gf.cm
Rotation stopper strength [止動強度]	3Kgf.cm

Endurance Characteristics [耐久性能]

Rotational life [回轉壽命]	10000 cycles
--------------------------	--------------