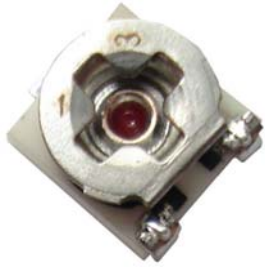


Model(型號): H03P02



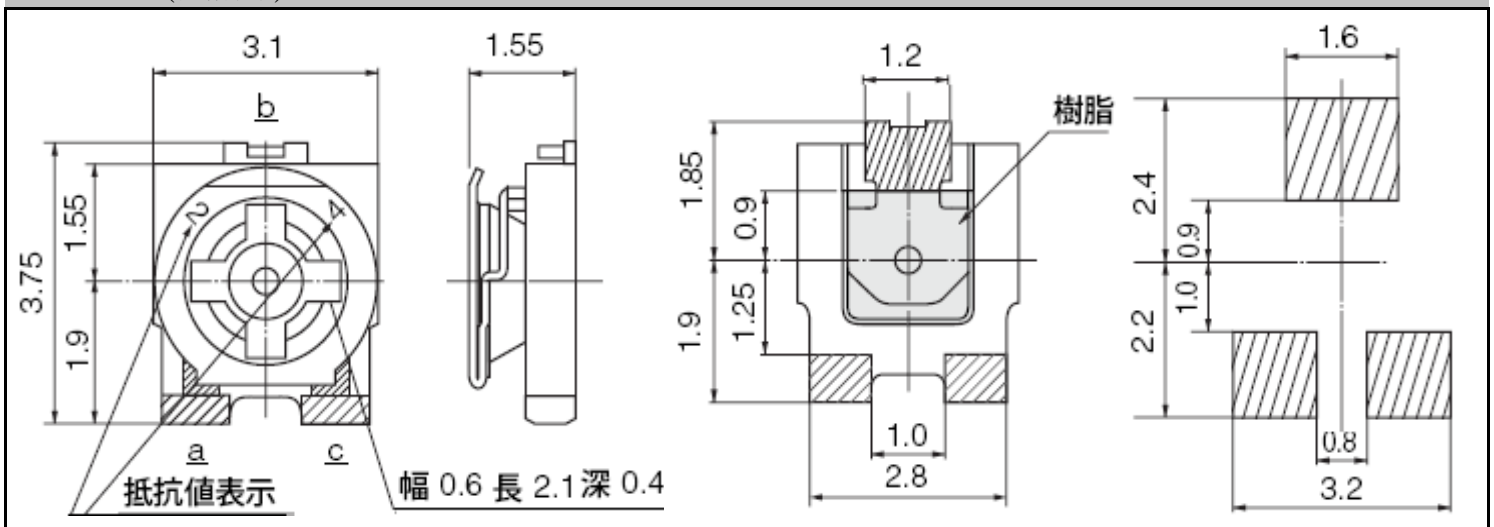
Features:

Compact design with a good space factor, High reliability realized by cermet element

特點:

節省空間,可靠性高,瓷基玻璃釉材質

Dimensions(規格圖):



Specifications(規格)

Electrical Characteristics [電氣性能]

Total resistance [全阻抗值]	100Ω - 1MΩ
Total resistance tolerance [全阻抗值容許差]	±25%
Ratings power(w) [額定功率]	0.15W
Resistance taper [阻抗變化特性]	B
Max. operating voltage [最高使用電壓]	50V

Mechanical Characteristics [機械性能]

Operation torque [回轉力矩]	2.0mN.m to 20mN.m
Rotation stopper strength [止動強度]	25mN.m min
Total rotational angle [回轉角度]	260° ±20°

Endurance Characteristics [耐久性能]

Rotational life [回轉壽命]	More than 50 cycles
--------------------------	---------------------