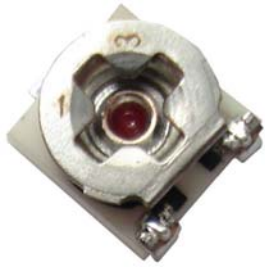


Model(型號): H03N01



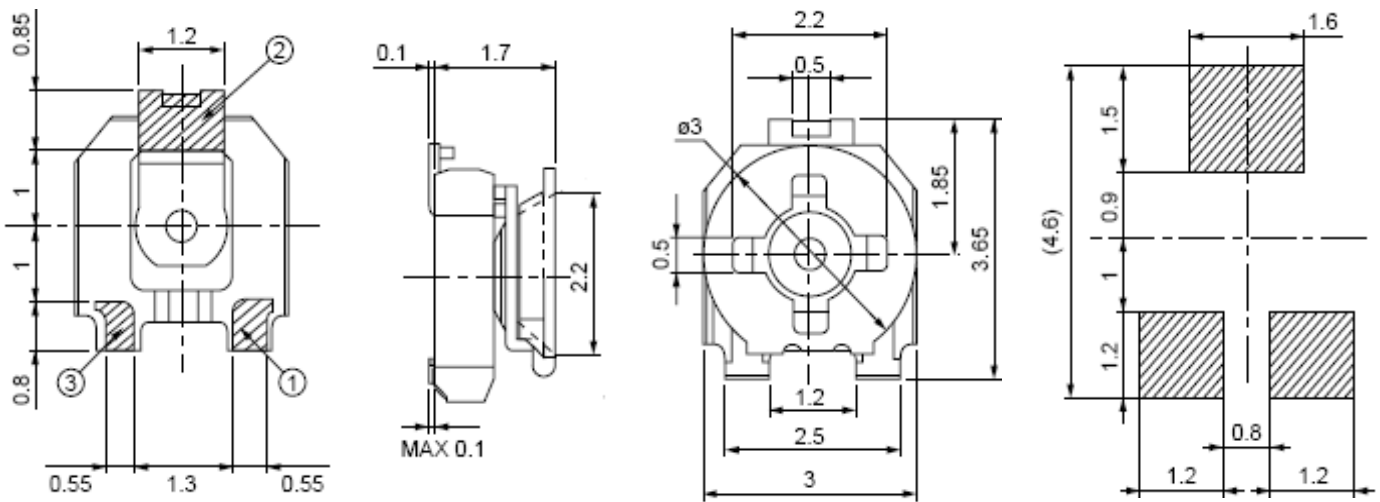
## Features:

Compact design with a good space factor, High reliability realized by cermet element

## 特點:

節省空間,可靠性高,瓷基玻璃釉材質

## Dimensions(規格圖):



## Specifications(規格)

## Electrical Characteristics [ 電氣性能 ]

Total resistance [ 全阻抗值 ]	100 $\Omega$ - 2.2M $\Omega$
Total resistance tolerance [ 全阻抗值容許差 ]	$\pm 25\%$
Ratings power(w) [ 額定功率 ]	0.10W
Resistance taper [ 阻抗變化特性 ]	B
Max. operating voltage [ 最高使用電壓 ]	50V

## Mechanical Characteristics [ 機械性能 ]

Operation torque [ 回轉力矩 ]	1.0mN.m to 20mN.m
Rotation stopper strength [ 止動強度 ]	25mN.m min
Total rotational angle [ 回轉角度 ]	250° $\pm 20^\circ$

## Endurance Characteristics [ 耐久性能 ]

Rotational life [ 回轉壽命 ]	More than 50 cycles
--------------------------	---------------------